



EP6



Model Features

PASS UNDER GAP:

4"-11-3/4"

HEIGHT: 27-1/2"

DEPTH: 14"

LENGTH:

16-1/2" ID

19-1/2" OD

GLASS:

1/4" CLEAR TEMPERED

WITH POLISHED EDGES

AND DUBBED CORNERS

FINISH: BRUSHED STAINLESS / ALUMINUM

Standard Features

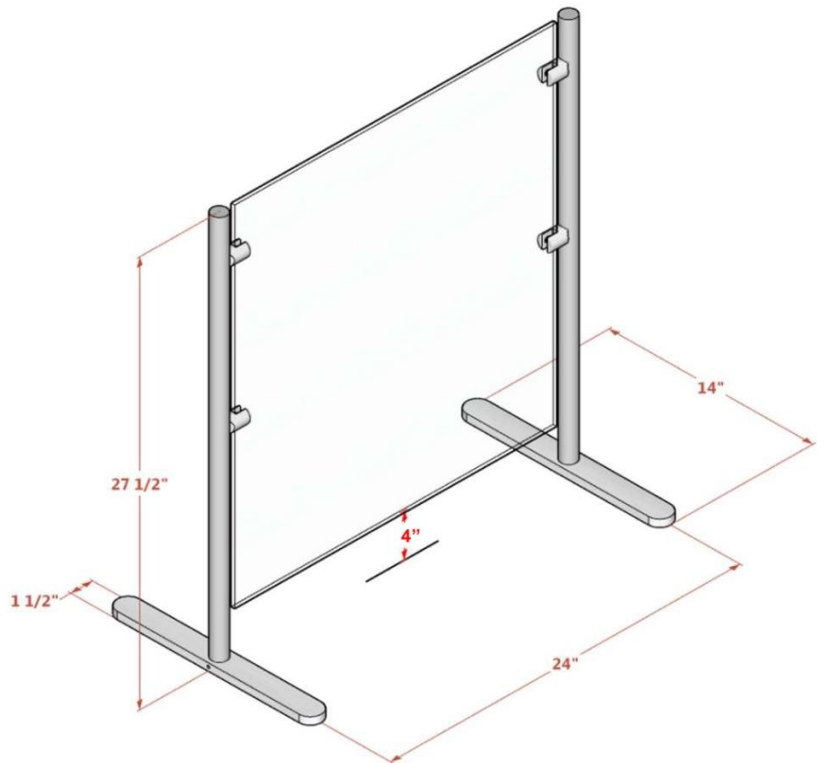
All Tempered Glass Panels with

Ground & Polished Edges

All Glass Manufactured in Strict Conformance with
ASTM C1048-04 and tested to ANSI Z97.1 standards.

Multiple Mounting Options Available.

Finish- Brushed Stainless/ Aluminum



ADM SneezeGuards 2300 Wilbur Ave, Antioch CA 94549

800-690-0002 Tel

sales@sneezeGuards.com

ADM SneezeGuards Copyright 2020





EP6

