

Item No. \_\_\_\_\_

Project \_\_\_\_\_

Quantity \_\_\_\_\_

## Single & Dual Automatic Satellite Coffee Brewers

Models:  9121  9221



Model 9121  
(Includes one (1)  
Satellite Dispenser)  
Shown with drip tray - sold  
separately



Model 9221  
(Includes two (2)  
Satellite Dispensers)

### APPLICATION

With an eye for detail and a mind toward simplicity, we have designed a new satellite system that is an ultra-reliable mechanically controlled brewer. Volume brewing has never been easier nor has a satellite brewer of this quality ever been available at such a value price. Our electro-mechanical satellite brewer may be the old tradition in brewing, but its superior engineering and proven technology is timeless.

### FEATURES

- Proven electro-mechanical controls provide simplicity of brewing and exceptional quality coffee.
- The two brewing volumes of 1 gallon and 1 1/2 gallon will accommodate fluctuations in demand.
- The externally heated satellites have a flush mounted sight gauge and a new compact size.
- Exclusive design provides easy access to components for quick efficient service.
- Ready-To-Brew light indicates the proper water temperature to help eliminate the guesswork in brewing.

- Premium quality thermostat has a full-length stainless steel sensing bulb that recognizes water temperature accurately and cycles less frequently.
- Independent front-mounted hot water faucet allows drawing of hot water without affecting coffee taste or brewing cycle.
- Unique water valve with built-in flow control assures consistent operation at 20-80 p.s.i.
- Superior spray head design spreads water over the coffee grounds, creating agitation and a floating action that completely saturates the coffee to capture the full, rich essence of every bean.
- Liquid level sensor and brew valve perform consistently with low or fluctuating water pressures.
- High quality easy to clean stainless steel construction.

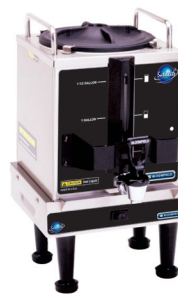
### OPTIONS/ACCESSORIES

- Drip tray - Model 3901
- Satellite Dispenser - Model 9440
- Single warmer - Model 9441
- Double warmer - Model 9442

### PRODUCT WARRANTY

Limited two year parts & one year labor

**\*CE models have one year parts warranty only**



MODEL 9441 Warmer  
(Satellite dispenser sold  
separately)



MODEL 9442 Warmer shown  
with optional Drip Tray  
(Satellite dispensers sold  
separately)



Made in the U.S.A.

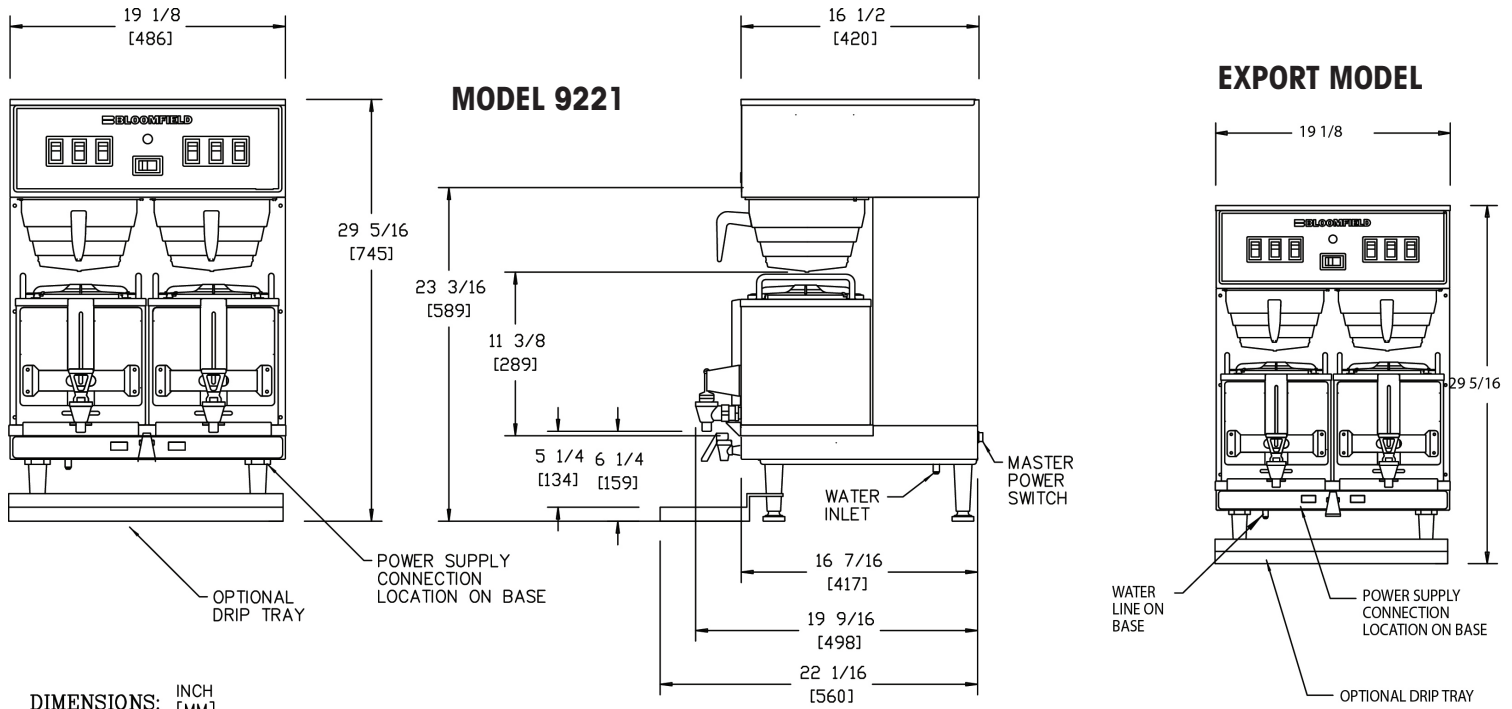


Sheet No. BLM9221-11/13

# Single & Dual Automatic Satellite Coffee Brewers

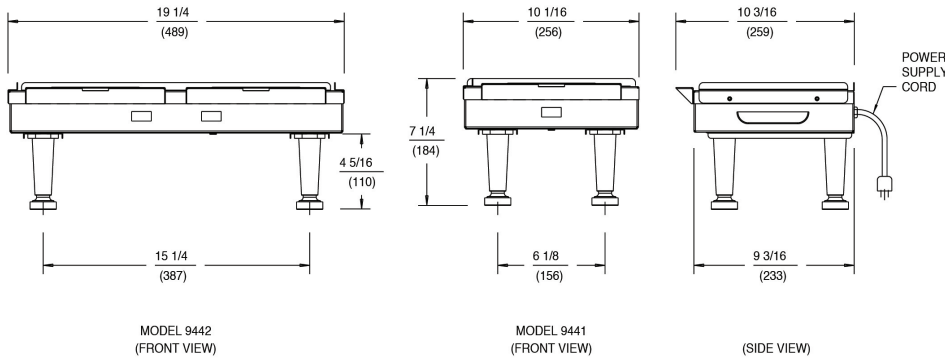


Models: □ 9121 □ 9221



DIMENSIONS: INCH [MM]

DIMENSIONS: INCH (MM)



MODEL	WATTS	VOLTS	AMPS	POWER SUPPLY CORD
9441	100	120	.8	NEMA 5-15P
9442	200	120	1.7	NEMA 5-15P

Model Number	W x D x H Inches (MM)	Voltage	Watts	AMPS Single Phase	Plug	Approx. Weight Installed LBS (KG)	Approx. Weight Shipping LBS (KG)
9121	10 x 19-1/2 x 29 (254 x 495 x 737) <i>height includes legs</i>	120V	1650	13.8	NEMA 5-15P	45 (20.4) including one satellite	47 (21.3) including one satellite
9221	19-1/8 x 16-1/2 x 29 (486 x 420 x 737) <i>height includes legs</i>	120V/ 208-240V 4 Wire	4,700 6,250	23 26	NEMA 5-15P	75 (34.1) including two satellites	87 (39.5) including two satellites
9921EX (EXPORT)	19-1/8 x 16-1/2 x 29 (486 x 420 x 737) <i>height includes legs</i>	380-415V	5240-6250	L1 L2 L3 N 8.7 8.7 9.8 1.1	3 PHASE	75 (34.1) including two satellites	87 (39.5) including two satellites

Due to periodic changes in designs, methods, procedures, policies and regulations, the specifications contained in this sheet are subject to change without notice. While Wells exercises good faith efforts to provide information that is accurate, we are not responsible for errors or omissions in information provided or conclusions reached as a result of using the specifications. By using the information provided, the user assumes all risks in connection with such use.



**Bloomfield** • 10 Sunnen Dr. St. Louis, MO 63143 U.S.A.  
Phone : (314) 678-6336 • Fax (314) 781-5445  
www.wellsbloomfield.com © 2013 Bloomfield • Printed in the U.S.A.

**NOTE: Specifications are subject to change without notice and are not intended for installation purposes. See installation instructions prior to installing the unit.**