



# STAINLESS STEEL Ice Bins 18" and 21" Wide Units



**SLI Series**  
18" Wide Units



**CRI Series**  
21" Wide Units



Item #: \_\_\_\_\_ Qty #: \_\_\_\_\_  
 Model #: \_\_\_\_\_  
 Project #: \_\_\_\_\_

**MATERIAL:**

**Ice Bin, Front Apron, Backsplash:** 22 gauge, 300 stainless steel  
**Sides:** 20 gauge, 430 stainless steel  
**Understructure:** 22 gauge galvaneal front/back; 11 gauge electrogalvaneal leg channel  
**Legs:** 1 5/8" O.D. 18 gauge, galvanized steel with adjustable plastic bullet feet  
**Ice Bin Insulation:** 2 lbs. density styrofoam

**MECHANICAL:**

1" IPS drain.

**OPTIONAL:**

- SU-10B** - 10" stainless steel leg upgrade (for 16" deep ice bins)
- SU-10C** - 14" stainless steel leg upgrade (for 12" deep ice bins)
- SU-30** - Soda chase provision
- SU-40** - Prep unit for installation of speed rail
- SSC-12** - Sliding cover for 12" ice bin
- SSC-24** - Sliding cover for 24" ice bin
- SSC-30** - Sliding cover for 30" ice bin
- SSC-36** - Sliding cover for 36" ice bin
- SSC-42** - Sliding cover for 42" ice bin
- SSC-48** - Sliding cover for 48" ice bin



Optional Sliding  
Stainless Steel Cover Shown

**FEATURES:**

- Insulated ice bins are 12" or 16" deep.
- 4" backsplash.
- Two removable injection molded 3-pack plastic bottle racks.
- Galvanized legs with adjustable plastic bullet feet.
- Adjustable galvanized side cross-bracing.
- CRI Series** has rear deck for extra storage.

**NOTE:** Bottle Racks Must Be Removed For NSF Compliance & For Use With Optional Cover.

18" WIDE Model #	Approx. Weight	Approx. Cu. Ft.	21" WIDE Model #	Approx. Weight	Approx. Cu. Ft.	O.A. Length (A)	Dist. To Drain (B)	Ice Bin Depth (C)	O.A. Height of Bin (D)	O.A. Leg Height (E)	Ice Bin Capacity
SLI-12-12	26 lbs.	6	CRI-12-12	35 lbs.	6	12"	6"	<b>12" DEEP</b>	14"	14"	35 lbs.
SLI-12-24	52 lbs.	7	CRI-12-24	61 lbs.	8	24"	12"		14"	14"	77 lbs.
SLI-12-30	60 lbs.	11	CRI-12-30	69 lbs.	11	30"	15"		14"	14"	98 lbs.
SLI-12-36	68 lbs.	13	CRI-12-36	77 lbs.	13	36"	18"		14"	14"	119 lbs.
SLI-12-42	72 lbs.	13	CRI-12-42	81 lbs.	13	42"	21"		14"	14"	140 lbs.
SLI-12-48	87 lbs.	14	CRI-12-48	96 lbs.	14	48"	24"		14"	14"	161 lbs.
SLI-16-24	68 lbs.	7	CRI-16-24	75 lbs.	8	24"	12"	<b>16" DEEP</b>	18"	10"	100 lbs.
SLI-16-30	69 lbs.	12	CRI-16-30	76 lbs.	12	30"	15"		18"	10"	127 lbs.
SLI-16-36	70 lbs.	16	CRI-16-36	78 lbs.	17	36"	18"		18"	10"	155 lbs.



**Customer Service Available To Assist You 1-800-645-3166 8:30 am - 8:00 pm E.S.T.**

For Orders & Customer Service:  
 Email: customer@advancetabco.com or Fax: 631-242-6900

For Smart Fabrication™ Quotes:  
 Email: smartfab@advancetabco.com or Fax: 631-586-2933

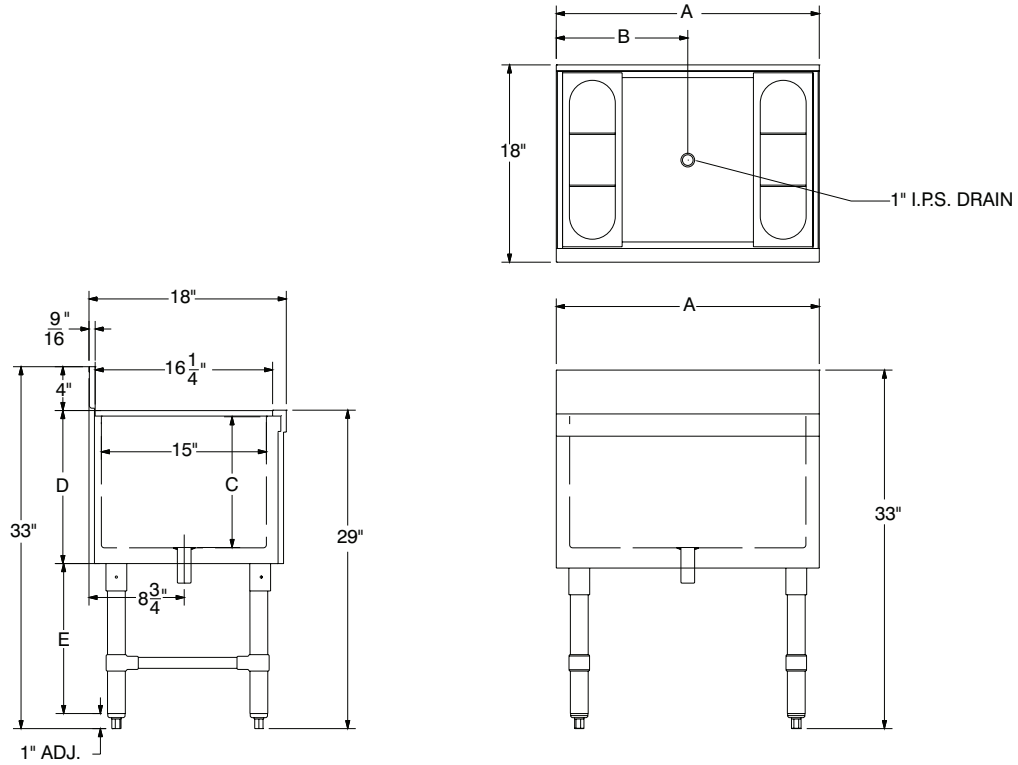
# DIMENSIONS and SPECIFICATIONS

TOL Overall:  $\pm .500"$  Interior:  $\pm .250"$

ALL DIMENSIONS ARE TYPICAL

## SLI Series

### NON-COLD PLATE ICE BINS



## CRI Series

